

# R5 RA 0400–0630 C

Rotary Vane



Discover all advantages of the product series R5 RA

## Reliable

Robust construction, highly resilient carbon fiber vanes, proven rotary vane technology, long service life

## High performance

High pumping speed at low pressures, designed for continuous operation

## Flexible

Various design options available, easy adaption to individual customer requirements and processes, variable speed drive available

### Accessories

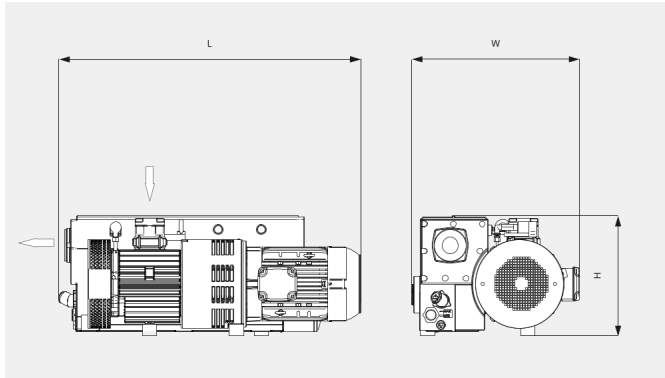
- IEC (IE3) and NEMA motors
- Multi-voltage, multi-frequency motors (IE3) for variable speed drive
- Single or double gas-ballast valve, manual or solenoid operation
- Various inlet filters
- Various temperature and pressure gauges

# R5 RA 0400–0630 C

Rotary Vane

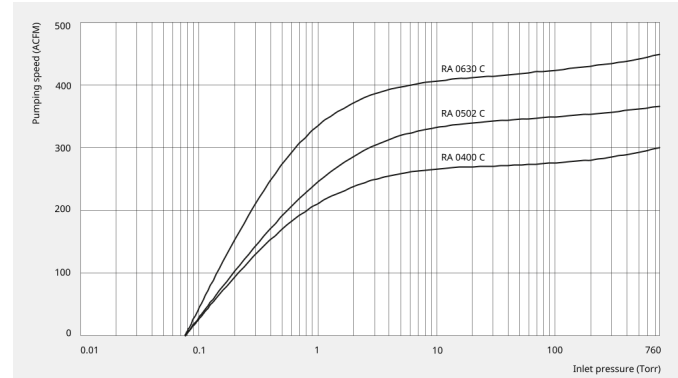


## Dimensional drawing



## Pumping speed

Air at 70 °F. Tolerance: ± 10%



The following technical values refer to US 60 Hz

	R5 RA 0400 C	R5 RA 0502 C	R5 RA 0630 C
<b>Nominal pumping speed</b>	305 ACFM	375 ACFM	455 ACFM
<b>Ultimate pressure</b>	0.075 TORR	0.075 TORR	0.075 TORR
<b>Nominal motor rating</b>	15 HP	20 HP	25 HP
<b>Nominal motor speed</b>	1150 RPM	1150 RPM	1150 RPM
<b>Power consumption at 75 TORR</b>	13.4 HP	16 HP	20 HP
<b>Power consumption at ultimate pressure</b>	7.5 HP	8.5 HP	10.7 HP
<b>Noise level (ISO 2151)</b>	79 dB(A)	79 dB(A)	79 dB(A)
<b>Oil capacity</b>	14.0 qts.	16.0 qts.	16.0 qts.
<b>Weight approx.</b>	1084 Lbs.	1285 Lbs.	1527 Lbs.
<b>Dimensions (L x W x H)</b>	54.5 x 40 x 28.5 inches	65 x 40 x 28.5 inches	69.3 x 41.5 x 28.5 inches
<b>Gas outlet</b>	3" NPT	3" NPT	3" NPT
<b>Gas inlet</b>	3" NPT	3" NPT	3" NPT

DO YOU WANT TO KNOW MORE



# R5 RA 0400-0630 C

Rotary Vane



VACUUM SOLUTIONS

## DO YOU WANT TO KNOW MORE

Please contact us!  
[info@buschusa.com](mailto:info@buschusa.com) or +1-800-USA-PUMP



CONTACT FORM



CALL US NOW